

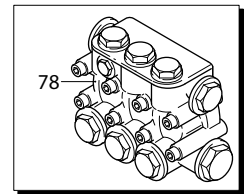
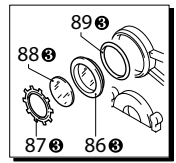
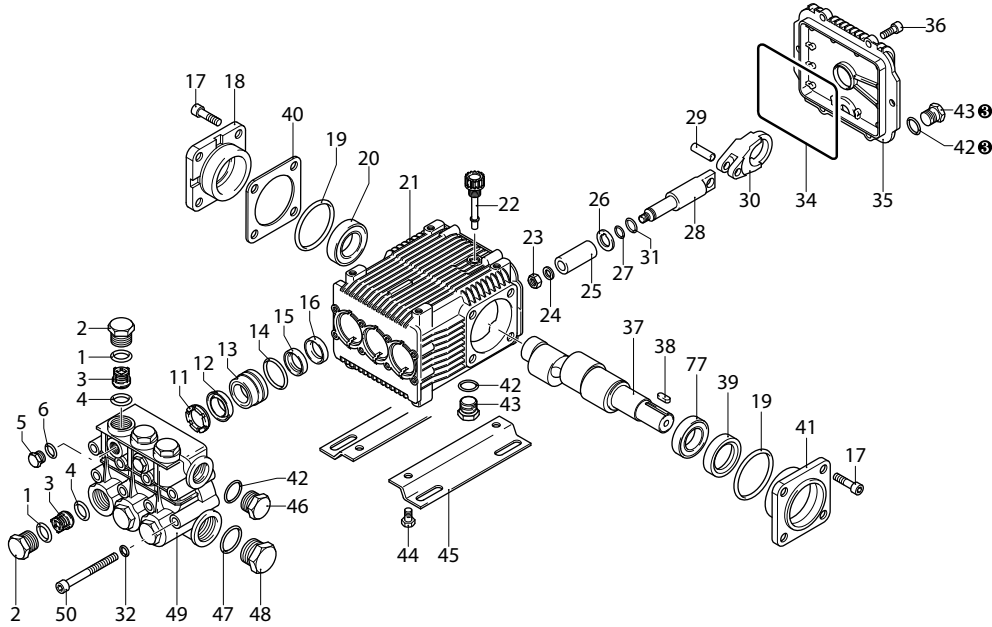
RK

VERSION

N

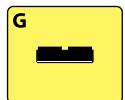
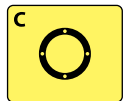
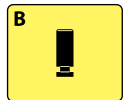
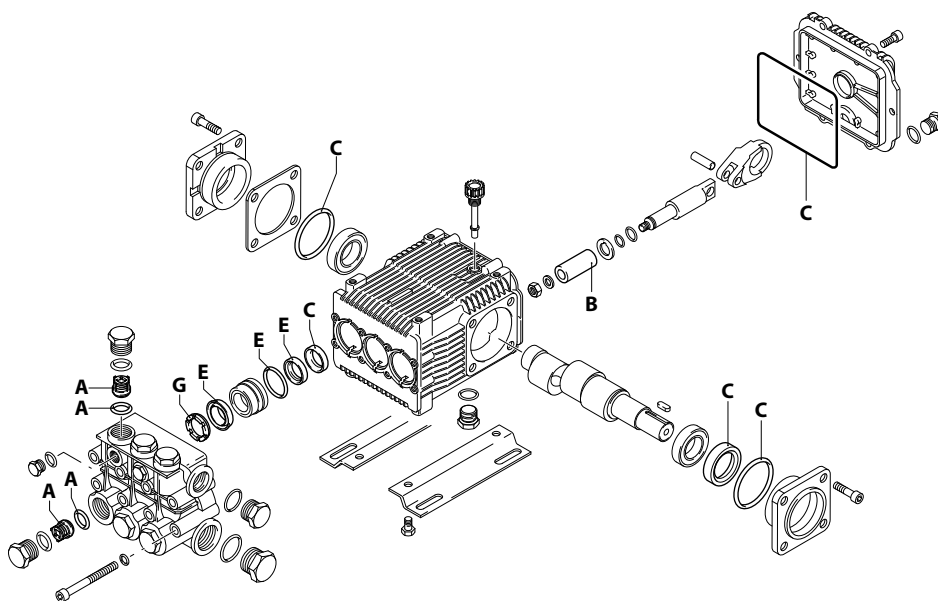
1450rpm

∅ 24x30 mm



UN003304-AS

PART KITS / 配套零件



0288600

UN003305-AS

228 Series

RK 1450 rpm N version ø 24 mm



11.14	11.20 H	11.25 H	13.12	13.17	13.20 H
14.16	15.15	15.20 H	15.25 H	15.28 H	18.12
18.16 H	18.20 H	18.28 H	21.10	21.15	21.20 H

Pos. 序号	Cod. 编号	Description	描述	Qt 数量	Note 备注	Pos. 序号	Cod. 编号	Description	描述	Qt 数量	Note 备注	
1	960160	O-ring	Ø 17,86x2,62	6		34	1780510	O-ring	Ø 106x3	1		
2	960090	Plug		6	RK C=54Nm	35	1789010	Cover	completo	1		
	960850	Plug		6	RK H C=54Nm	36	1343510	Screw	TCEI M6x14	6	C=10Nm	
	1380740	Plug		6	RK H C=54Nm	37	2280100	Shaft	marcato 5	1	○	
3	1389051	Complete valve		6			2280080	Shaft	marcato 3	1	□	
4	880830	O-ring	Ø 15,54x2,62	6		2280070	Shaft	marcato 2	1	●★		
5	880581	Plug	1/4" G	2	●RK C=15Nm	2280060	Shaft	marcato 1	1	■☆		
	1380690	Plug	1/4" G nickel	2	●RK H-H C=15Nm	38	1380520	Key		1		
6	820510	O-ring	Ø 10,82x1,78	2		39	180340	Ring	tenuta	1	(b)	
11	960110	Ring	appoggio Ø18	3	○□●■	1380120	Shim 0.10 mm		垫片 0.10 mm	1÷3		
	840300	Ring	appoggio Ø20	3	☆	1380130	Shim 0.20 mm		垫片 0.20 mm	1÷3		
	840320	Ring	appoggio Ø22	3	★	1380530	Shim 0.25 mm		垫片 0.25 mm	1÷3		
12	1382740	Water seal	Ø 18	3	○□●■	1382810	Shim 0.05 mm		垫片 0.05 mm	1÷3		
	840290	Water seal	Ø 20	3	☆	41	1380040	Support	cuscinetto aperto	1		
13	840330	Water seal	Ø 22	3	★	42	740290	O-ring	Ø 14x1,78	3	⊕	
	1380090	Piston guide	Ø 18	3	○□●■	43	1980740	Plug	3/8" G ottone	2	⊕ C=20Nm	
14	1380150	Piston guide	Ø 20	3	☆	44	1263130	Screw	TE M8x12	4	Optional C=20Nm	
	1380160	Piston guide	Ø 22	3	★	45	1380141	Foot		2	Optional	
15	961240	O-ring	Ø 31,47x1,78	3		46	1980740	Plug	3/8" G ottone	1	RK C=25Nm	
	880330	Water seal	Ø 18	3	○□●■	47	1981180	Plug	3/8" G nickel	1	RK H-H C=25Nm	
16	840280	Water seal	Ø 20	3	☆	48	180101	O-ring	Ø 17,5x2	1		
	840340	Water seal	Ø 22	3	★	49	820361	Plug	1/2" G ottone	1	RK C=40Nm	
17	1383130	Ring	tenuta	3		960870	Plug	1/2" G nickel	1	RK H-H C=40Nm		
18	850370	Screw	TCEI M8x16	8	C=24,5Nm	1381071	Head		泵头	1	Ø18 RK	
19	1380050	Support	cuscinetto chiuso	1		1381070	Head	nikelata	泵头	1	Ø18 RK H-H	
20	640030	O-ring	Ø 59,99x2,62	2		1380020	Head		泵头	1	Ø20-22 RK	
21	2280340	Bearing		1		1380680	Head	nikelata	泵头	1	Ø20-22 RK H	
22	1382770	Pump body		1		50	820150	Screw	TCEI M8x70	8	C=24,5Nm	
23	880130	Plug		1		77	1383140	Bearing		1		
24	962010	Nut		1	⊕ C=20Nm	1389270	Head assembly		泵头组件	1	Ø18 RK	
25	962000	Washer		3		1389272	Head assembly		泵头组件	1	Ø18 RK H	
	1380940	Piston	Ø 18	3	○□●■	1389271	Head assembly		泵头组件	1	Ø18 RK H	
	1380930	Piston	Ø 20	3	☆	1389208	Head assembly		泵头组件	1	Ø20 RK	
26	1382360	Piston	Ø 22	3	★	1389212	Head assembly		泵头组件	1	Ø20 RK H	
27	1380950	Plate		3		1389216	Head assembly		泵头组件	1	Ø22 RK	
28	600180	O-ring	Ø 7,66x1,78	3		1389220	Head assembly		泵头组件	1	Ø22 RK H	
29	1380920	Piston	di guida	3		86	1260250	Level gauge		油标	1	⊕
30	1380060	Pin		3		87	1260430	Ring		1	⊕	
	1383050	Connecting-rod	alluminio	3		88	1780690	Plate		金属板	1	⊕
	1383020	Connecting-rod	bronzo	3		89	1140450	O-ring	Ø 20,24x2,62	1	⊕	
31	1080401	Ring	antiestrusione	3								
32	1381850	Washer		8								

⊕ Part of part n° 1789010 / 配件号是1789010

PART KITS - 配套零件

A=KIT 2864 valves 单向阀		pistons 柱塞		B=KIT 2757 ø 18 B=KIT 2758 ø 20 B=KIT 2759 ø 22		C=KIT 1855 oil seals 油封	
Pos. 序号	Q.ty 数量	Pos. 序号	Q.ty 数量	Pos. 序号	Q.ty 数量	Pos. 序号	Q.ty 数量
3	6	23	3	16	3		
4	6			19	2		
				34	1		
				39	1		

SIMBOLOGIA - 标记

○ For / 用于 RK 11.14 RK 11.20 H RK 11.25 H	● For / 用于 RK 14.16	☆ For / 用于 RK 18.12 RK 18.16 H RK 18.20 H RK 18.28 H	★ For / 用于 RK 21.10 RK 21.15 H RK 21.20 H
□ For / 用于 RK 13.12 RK 13.17 RK 13.20 H	■ For / 用于 RK 15.15 RK 15.20 H RK 15.25 H RK 15.28 H		

C Tightening torque tolerance 0±10% / 拧紧力矩公差 0±10%
 ● Screw with Loxeal 55-14 / 用 Loxeal 55-14 螺丝
 (b) Fit the seal with tool code nr. 2281010 / 用 nr. 2281010 工具进行密封
 ■ OVER 3600 psi / 3600 psi 以上

SPECIAL PARTS / 特殊配件

Cod. 编号	Description - 描述	Q.ty 数量
2809	Water seals ø 18 / 水封 ø 18	1
2810	Water seals ø 20 / 水封 ø 20	1
2811	Water seals ø 22 / 水封 ø 22	1

Oil - 机油	
Type / 类型	Quantity / 数量
SAE 15W40	0,435 Kg